

RADIAL FANS

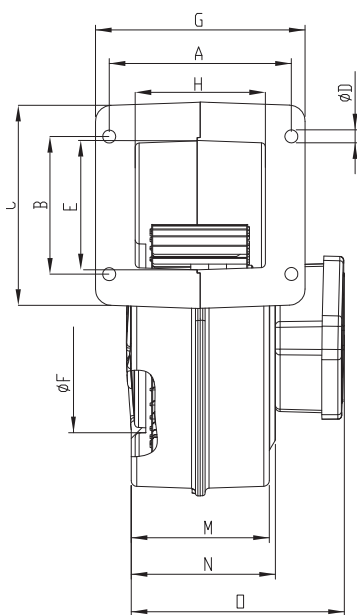
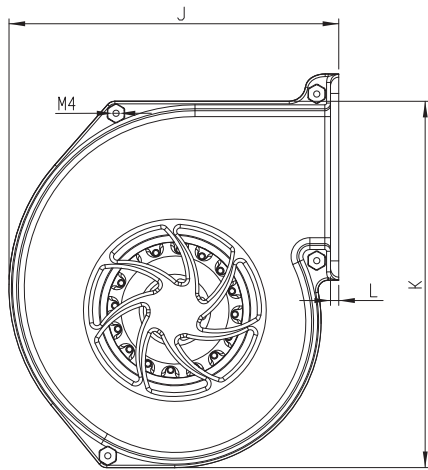


BPS 140-60

AC CENTRIFUGAL BLOWER Plastic Housing

Plastic housing of Single Inlet BPS fan allows operating the fan where corrosive and inflammable airflow is subjected to put in operation.

Technical Drawings



MATERIAL

: Scroll housing is made of from injected white plastic. Both forward curved plastic or metal impeller is available.

INSULATION CLASS

: Class B

DIRECTIVE

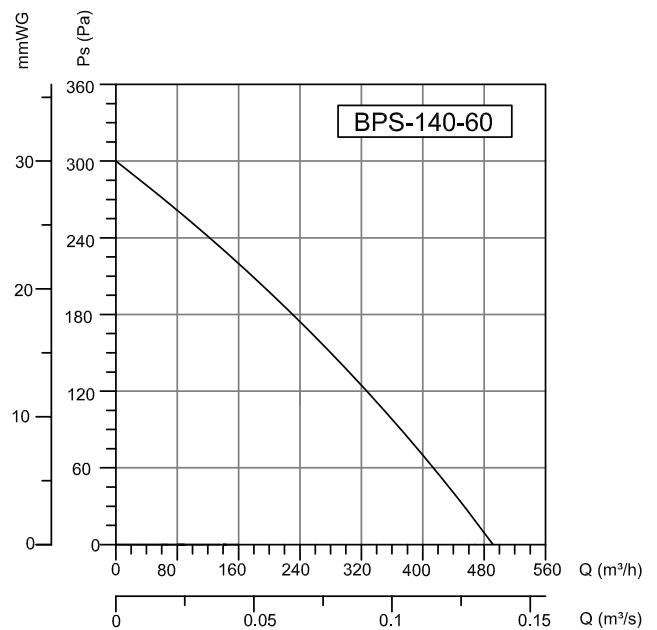
: EN 60335-1, EN 60335-2-80

SPEED CONTROL

: Speed can be adjusted using an optional controller.

APPLICATION AREAS

: Acetic environments, laboratories, residential areas, packing machines, yacht air conditioning, dc motor cooling, sock machines, industrial and commercial areas, etc.



TYPE	VOLTAGE	FREQUENCY	POWER	CURRENT	CAPACITOR	SPEED	AIR FLOW	SOUND PRESSURE LEVEL	WEIGHT
	V	Hz	W	(A)	(μ F)	d/d	m³/h	dB(A)	kg
BPS 140-60	230	50	113	0,5	4	2590	500	70	2

TYPE	A	B	C	D	E	F	G	H	J	K	L	M	N	O
BPS 140-60	110.5	83.5	123	6	76	110	128.5	79.5	201	225	5	85.5	90	130

Dimensions are in (mm)